

## SPH-Series

### Hand Pump

- Internal pressure relief valve for overload protection.
  - Large oil capacity, suitable for wide application.
  - Two speed auto-switch reduces manpower and increase efficiency.
  - SPH-Series feature a manual 4-way control valve, designed for use with one double-acting or two single-acting cylinder.
- (For system set-up information: SV-Series)



SPH-400



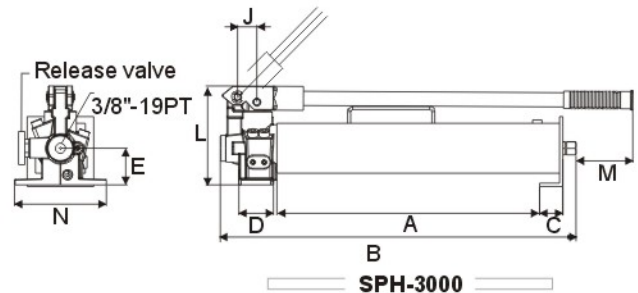
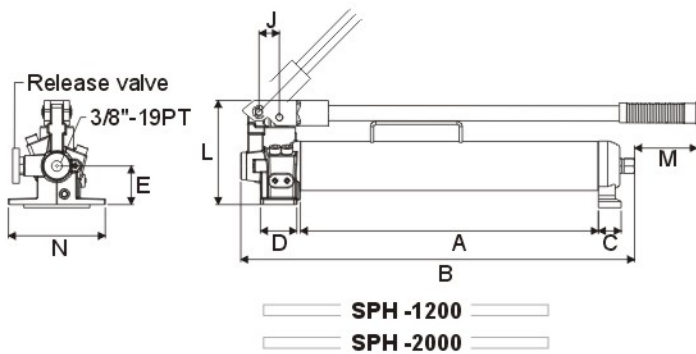
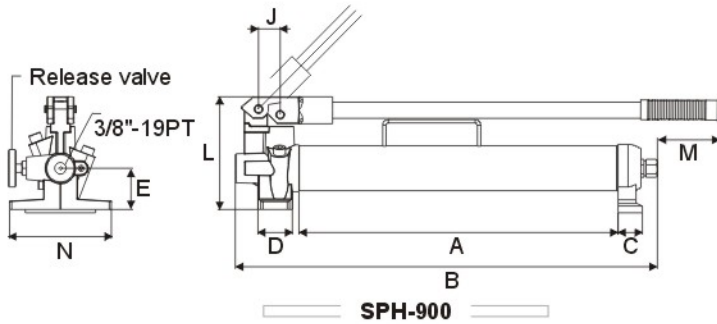
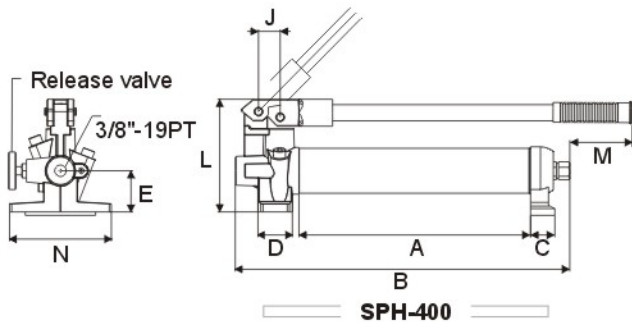
SPH-900



SPH-1200



SPH-3000



Model Number	Pump Type	Usable Oil Capacity	Pressure Rating		Oil Displacement per Stroke		Dimensions(mm)								Weight	
			1 <sup>st</sup> stage	2 <sup>nd</sup> stage	1 <sup>st</sup> stage	2 <sup>nd</sup> stage	A	B	C	D	E	J	L	M		N
			(psi)		(c.c.)		A	B	C	D	E	J	L	M		N
SPH-400	Two-Speed	400	200	10,000	15.5	2.8	200	315	35	42	50	29	142	80	138	5.0
SPH-900		900	200	10,000	15.5	2.8	380	450	32.5	45	55	29	145	6	136	8.5
SPH-1200		1200	200	10,000	15.5	2.8	425	536	32.5	48	55	29	142	65	137	9.0
SPH-2000		2000	200	10,000	15.5	2.8	425	536	32.5	48	55	29	142	65	137	11.0
SPH-3000		3000	200	10,000	15.5	2.8	440	536	45	48	55	29	142	65	137	13.0